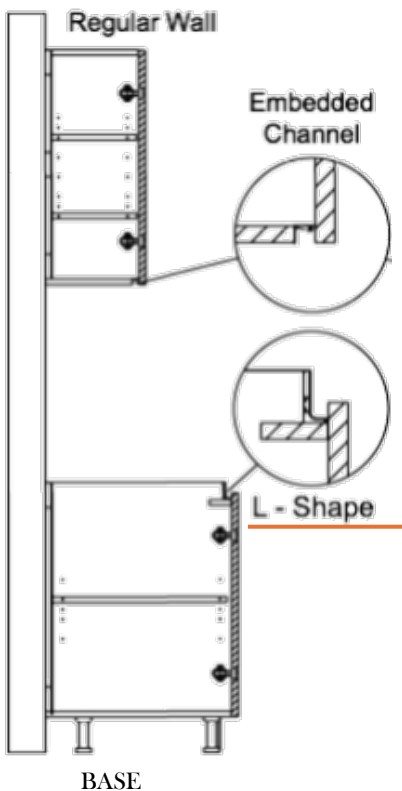


# EUCUCINA GOLA LINE

Introducing the GOLA Line: Where elegance meets functionality. This modern, minimalist kitchen features handle-free doors and drawers, showcasing a sleek aluminum profile that enhances any space.

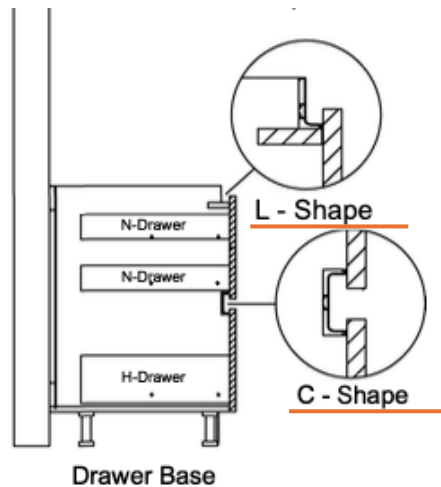
Experience seamless design and effortless organization, perfect for today's discerning homeowner. Elevate your culinary experience with the GOLA Line—where style and practicality unite in perfect harmony. Transform your kitchen into a masterpiece!

This guide will walk you through the simple steps needed to assemble your GOLA kitchen and bring it to life!



The L-Channel is ideal for base cabinets and top drawers, where it allows easy access from the top edge, maintaining a clean, seamless look.

The C-Channel is best suited for drawer base cabinets and tall cabinets, providing a comfortable grip on both sides



# EUCUCINA GOLA LINE



## Cabinet Specifications:

- 1) Handleless L/C shape Channel for door/drawer opening
- 2) Six-Way adjustable soft close door hinges
- 3) Slim Grey drawer boxes with undermount full extension soft close glides and 5/8" plywood drawer box panels
- 4) 3/4" thick plywood side panels, with white melamine on both sides
- 5) Aluminum PVC toe kick



# EUCUCINA GOLLA LINE



## Box Assembly Instructions:

### Step 1: Assembling the main cabinet structure

- Attach parts (1), (2), (4), and (5) as shown in the diagram. Secure the pieces using screws in the pre-drilled holes, following the detailed close-up images.
- Make sure all connections are tight and properly aligned.

### Step 2: Installing the drawer slides

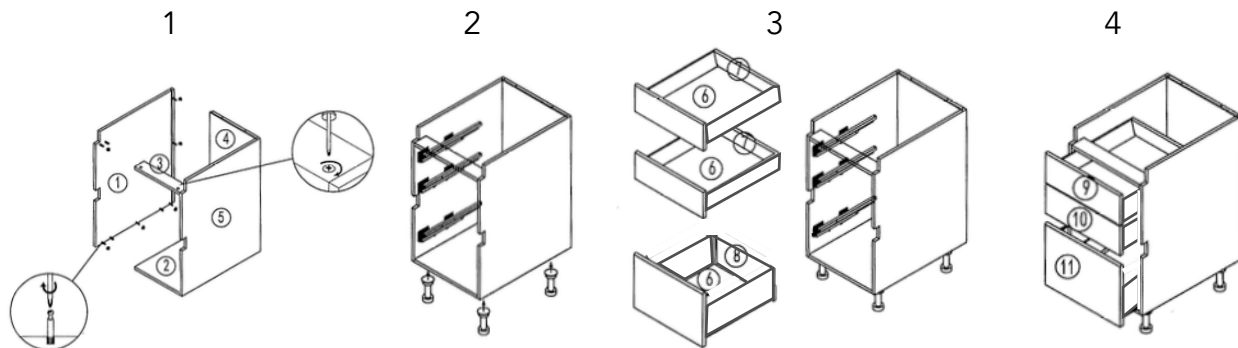
- Install the drawer slides inside the cabinet as shown in the second image. Ensure the slides are securely fastened and parallel to each other.

### Step 3: Assembling the drawers

- Place the drawers (6), (7), and (8) into their respective positions. Ensure each drawer aligns correctly with the slides for smooth operation.

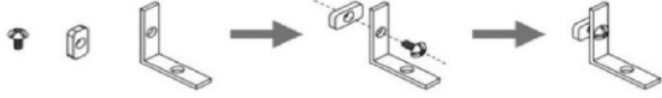
### Step 4: Final drawer installation

- Once the drawers are in place, attach the drawer fronts (9), (10), and (11) to their corresponding drawers. Make sure everything is firmly secured and properly leveled. Adjust the legs as needed.

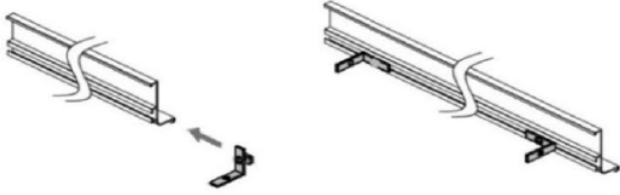


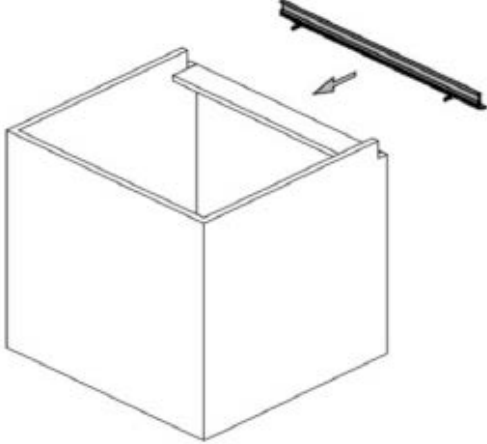
# EUCUCINA GOLLA LINE

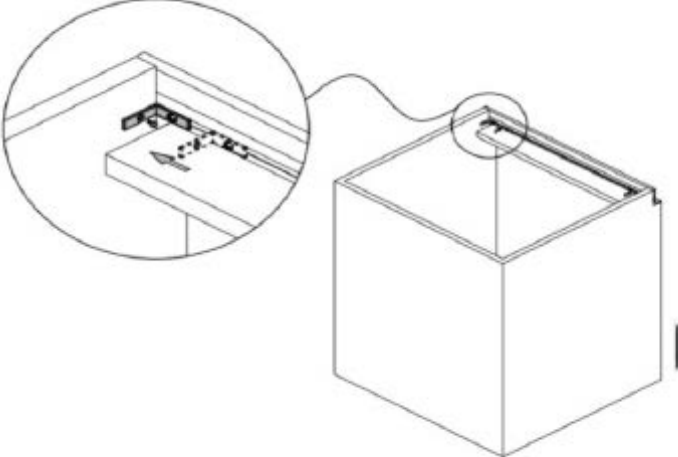
## GOLA Profile Assembly Instructions:

Step	Description	Diagram
1.	Lock one end of the L-shaped connector with a screw	

Note: L-shaped connector comes with cabinet box

2.	Slide one end of the locked screw into the groove of the aluminum channel	
----	---	--

3.	Put the aluminum channel to the corresponding L-shaped cut-out position of BOX	
----	--	---

4.	Screw the other end of the L-shaped connector to the side panel	
----	---	--

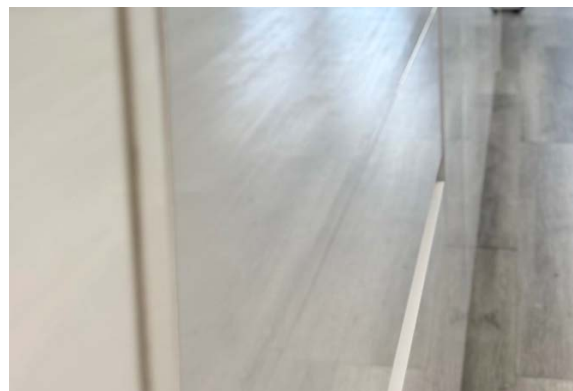
# EUCUCINA GOLA LINE



The GOLA profile comes in a standard length of 105" and does not need to be cut for each individual cabinet. A single profile can be used across multiple cabinets based on the total width of the cabinets being installed.



SINGLE PROFILE ACROSS MULTIPLE BASE CABINETS





## EUCUCINA GOLA LINE

Use the L-Channel for base cabinets and top drawers, and the C-Channel for drawer base and tall cabinets. For example, an 18" drawer base cabinet requires an 18" L-Channel and an 18" C-Channel.

All GOLA bases come with full-height doors, for wall cabinets the GOLA profile is attached to the cabinet's bottom panel and requires no extra installation. The wall cabinet GOLA is the same standard finish for all models.

GOLA - FULL HEIGHT DOOR WITH ROT DRAWERS



WALL CABINETS GOLA PROFILE ATTACHED TO THE CABINET

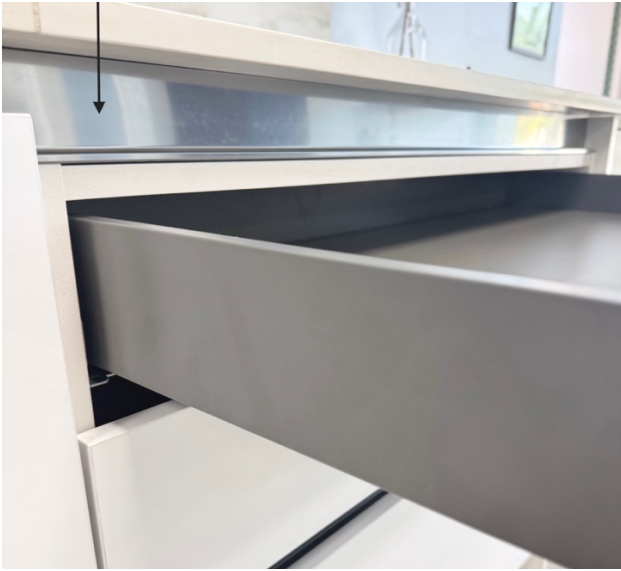


FINGER CUTOUT



# EUCUCINA GOLA LINE

GOLA L SHAPE PROFILE AT TOP OF BASE AND DRAWER CABINETS



GOLA C SHAPE - DRAWERS AND TALL CABINETS



FRONT C SHAPE PROFILE



BACK C SHAPE PROFILE





# EUCUCINA GOLA LINE

